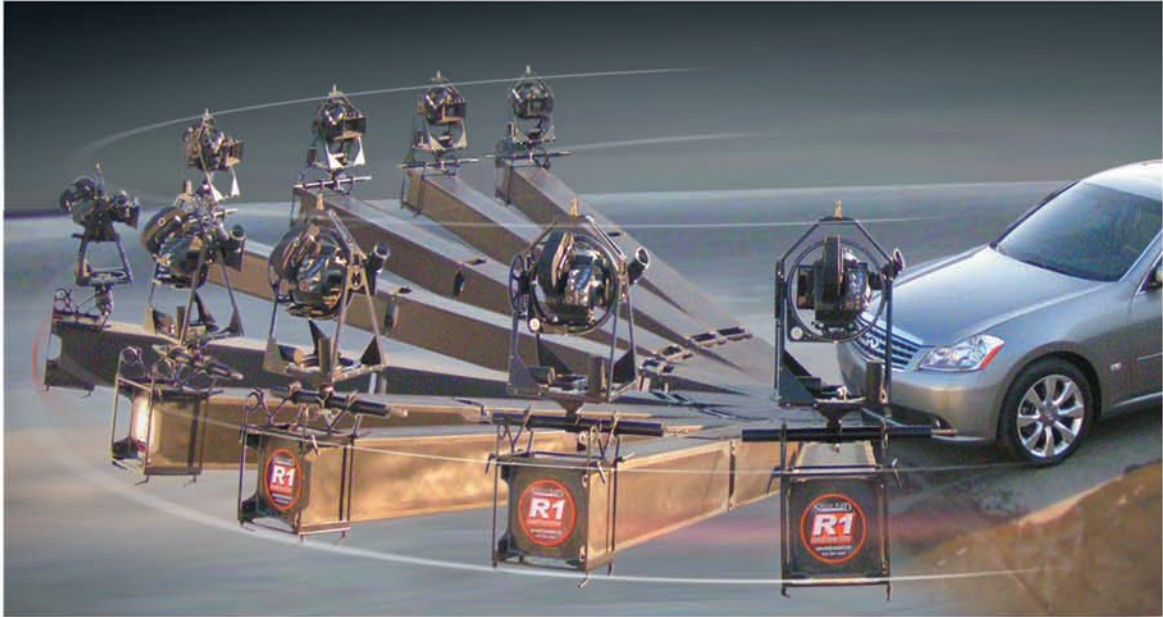


# PURSUITS SYSTEMS

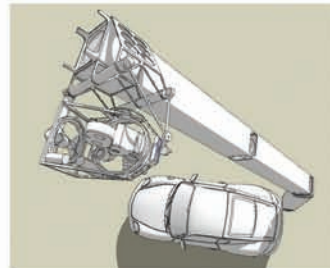
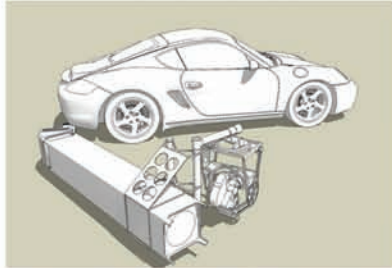
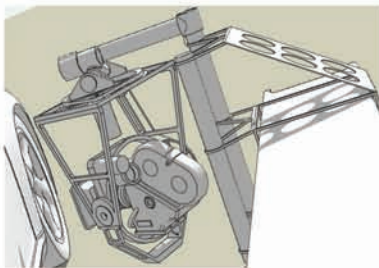
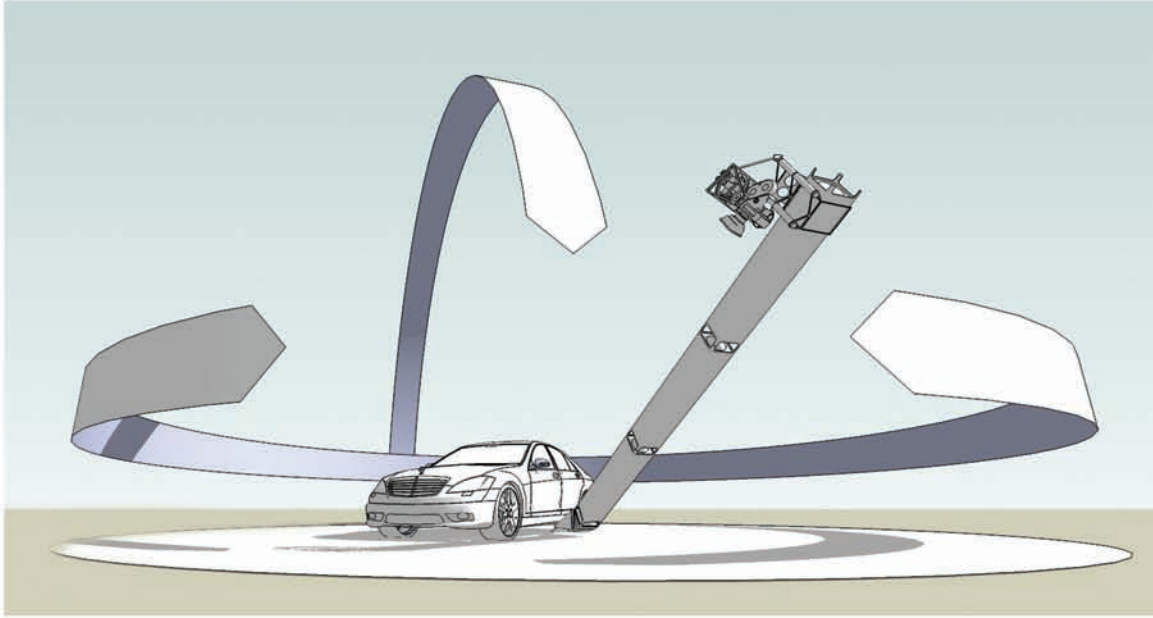


## R1 CARBON FIBER ARM WITH MOTION BASE and HEAD

The R1. The original carbon fiber rigging system designed for both still and cinema cameras continues to improve. We have recently added our new motion base to the R1's available accessories. Teamed up with our unique light-weight two/three axis head it offers a 180 degree range of motion with smooth precise starts and stops. Best of all, the motion base attaches to the car in minimal time, just like the original.



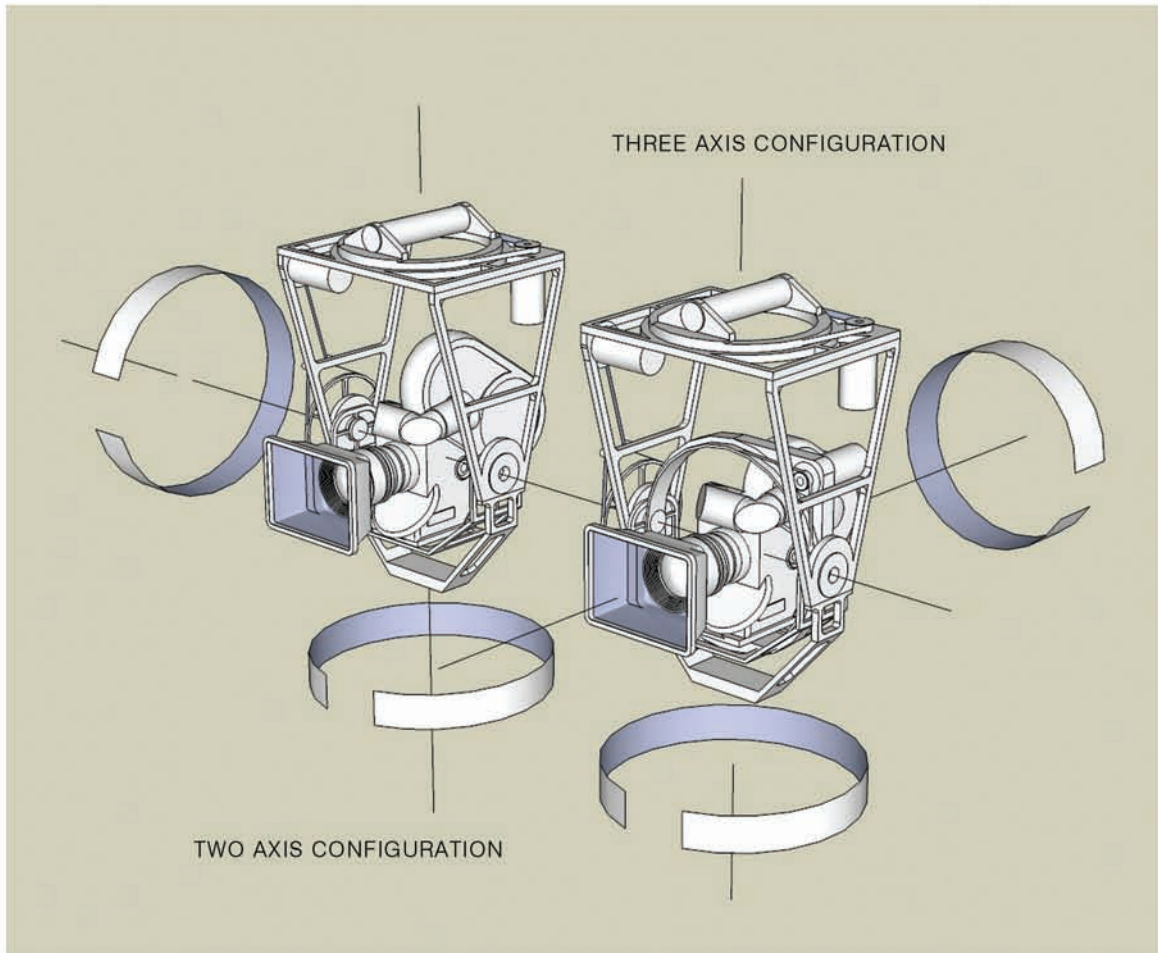
# PURSUIT SYSTEMS



## R1 CARBON FIBER RIGGING SYSTEM

Maximum Arm Length - Cinema	22 Feet
Maximum Arm Length - Still	45 Feet
Maximum Camera Weight - Cinema	85 Pounds
Maximum Camera Weight - Still	35 Pounds
Maximum Speed of Moving Arm	180 Degrees in 4 Seconds

# PURSUIT SYSTEMS



## LIGHTWEIGHT HEAD

Overall Width	14 Inches
Overall Depth	12 Inches
Overall Height	21 Inches
Bottom Bracket to Lens Center	7 Inches